

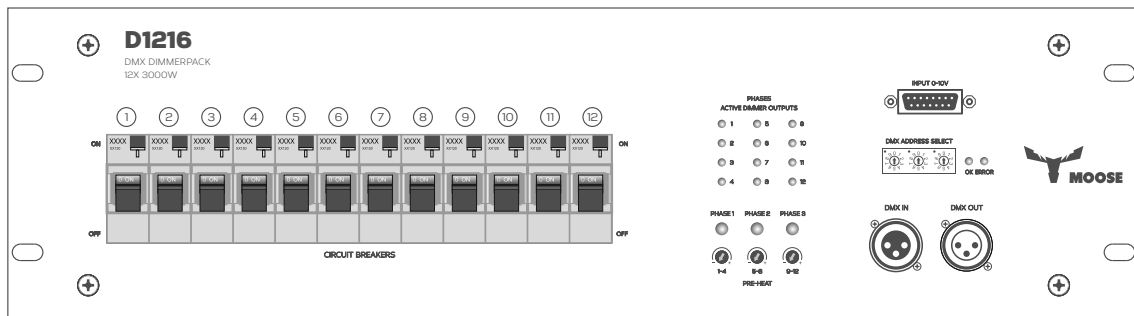
MOOSE

www.mooseaudio.com

PROUDLY DEVELOPED AND
MANUFACTURED IN PORTUGAL

D1216

DMX512 Dimmer
12x 3000W



USER'S MANUAL

Introduction

Dear customer,

Thank for choosing MOOSE branded products!

MOOSE is a brand of professional audio & lighting products, proudly developed and manufactured in PORTUGAL.

In order to operate this product in a safe and reliable manner, please follow the instructions in this booklet and before operating the equipment read the instructions carefully and please note the technical information.

Our products undergo very rigorous testing under strict conditions and they are monitored continuously during the manufacturing process. In order to guarantee the product function and safety, the original parts of the manufacturer's design must be used. If any parts other than those of the manufacturer are used, or the product is modified in any way, the user forfeits all warranty rights to claim.

Caution

1. Before connecting the equipment to the power outlet, first verify that the mains voltage and frequency match the values specified on the equipment.
2. If the power cord of the device is equipped with an earthing contact, then it must be connected to an outlet with a protective ground. Never deactivate the protective ground of a power cord.
3. Unplug the power cord and power adapter from the power outlet if there is a risk of a lightning strike or before extended periods of disuse.
4. Replace fuses only with fuses of the same type and rating. If a fuse blows repeatedly, please contact an authorised service company.
5. Do not open or modify this equipment.
6. After connecting the equipment, check all cables in order to prevent damage or accidents, e.g., due to tripping hazards.
7. Do not turn on the equipment ON before checking that all levels to zero .

IMPORTANT: Never remove the cover, because otherwise there may be a risk of electric shock. There are no user serviceable parts inside. Have repairs carried out only by qualified service personnel.



The lightning flash with arrowhead symbol within an equilateral triangle is intended to alert the user to the presence of uninsulated "dangerous voltage" within the product's enclosure that may be of sufficient magnitude to constitute a risk of electrical shock.



The exclamation mark within an equilateral triangle is intended to alert the user to the presence of important operating and maintenance instructions.



To prevent electrical shock do not remove the cover. No user serviceable parts inside. Refer service to qualified personnel only.

The amplifier is marked with this instruction so please proceed accordingly in order to avoid any hazard.

Manufacturers Declaration

PROPER DISPOSAL OF THIS PRODUCT

(Valid in the European Union and other European countries with waste separation)



This symbol on the product, or the documents accompanying the product, indicates that this appliance may not be treated as household waste. This is to avoid environmental damage or personal injury due to uncontrolled waste disposal. Please dispose of this product separately from other waste and have it recycled to promote sustainable economic activity.

Household users should contact either the retailer where they purchased this product, or their local government office, for details on where and how they can recycle this item in an environmentally friendly manner.

Business users should contact their supplier and check the terms and conditions of the purchase contract. This product should not be mixed with other commercial wastes for disposal .

ENVIRONMENTAL PROTECTION AND ENERGY CONSERVATION

Energy conservation is an active contribution to environmental protection. Please turn off all unneeded electrical devices. To prevent unneeded devices from consuming power in standby mode, disconnect the mains plug.

EC DECLARATION OF CONFORMITY

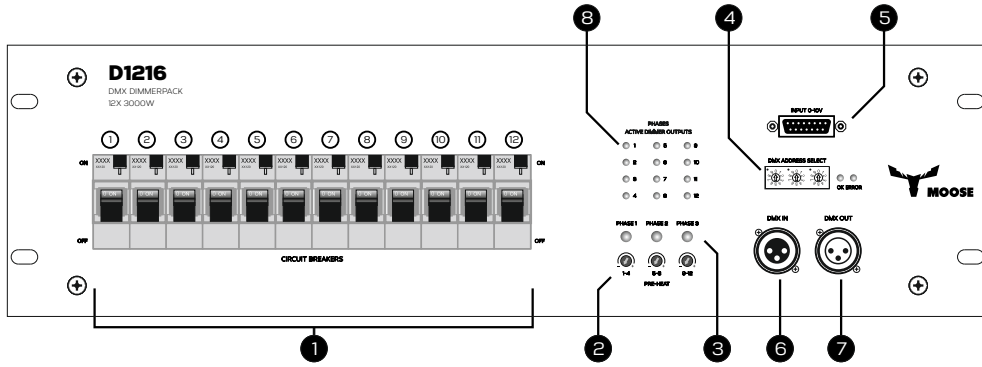
The equipment marketed by MOOSE complies (where applicable) with the essential requirements and other relevant specifications of Directives 1999/5/EC (R&TTE), 2004/108/EC (EMC) und 2006/95/EC (LVD). Additional information can be requested to info@profactor.pt.



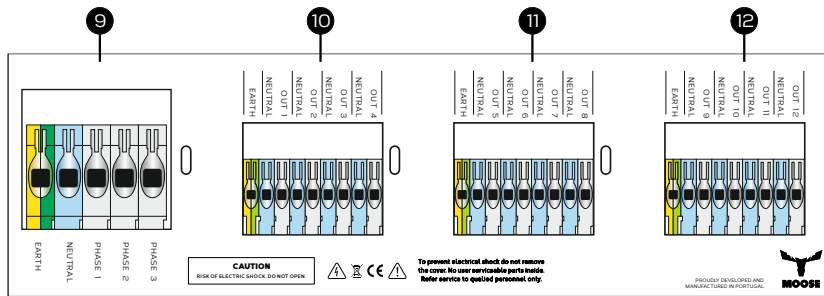
PROUDLY DEVELOPED AND MANUFACTURED IN PORTUGAL

Connections and Controls

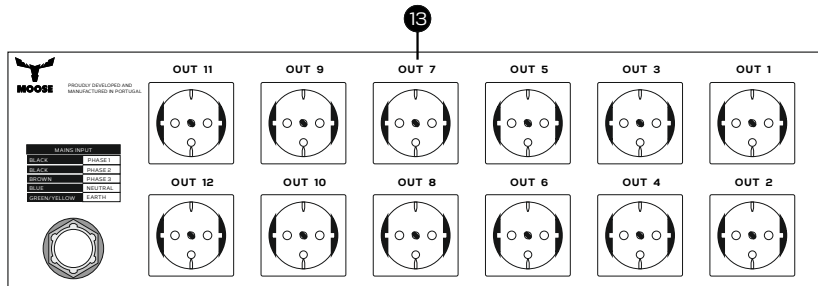
Please refer to the following scheme and instructions:



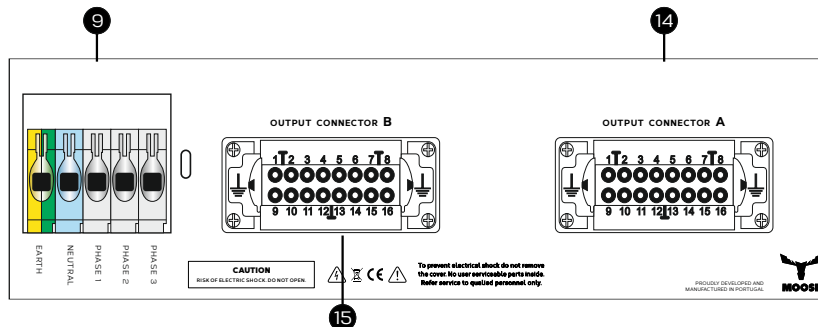
D1216:



D1216S:



D1216H:



Connections and Controls

- 1. CIRCUIT BREAKERS:** Individual short-circuit protection (magnetotermics) for each channel - 1 to 12.
- 2. PREHEAT:** When properly used, this feature enable to extend Lamp life time - very important.
- 3. PHASE INDICATOR:** LED indicator of active phase inputs.
- 4. DMX SELECTOR:** Allows the user to select in what channel the dimmer is going to start with.
- 5. ANALOG OUT:** Analog control Input (0 -10V) to connect the cable from Mixer (0-10V) in D15.
- 6. DMX IN:** DMX control Input to connect the cable from Mixer (DMX) in 3-pin XLR.
- 7. DMX OUT:** DMX output seful to connect (Link) another Dimmer in 3-pin XLR;
- 8. ACTIVE DIMMER OUTPUT:** LED indicator of active outputs;
- 9. MAINS SUPPLY:** Phase 1 - 3, Common and Ground Clamps. For D1216S it's a mains supply cable;
- 10. OUTPUT TERMINALS:** Channels 1 - 4 with Neutral / Ground Clamps;
- 11. OUTPUT TERMINALS:** Channels 5 - 8 with Neutral / Ground Clamps;
- 12. OUTPUT TERMINALS:** Channels 9 - 12 with Neutral / Ground Clamps;
- 13. SHUKO OUTPUTS:** Shuko socket for each channel 1 to 12;
- 14. HARTING OUTPUT A:** Harting socket for output channels 1 to 6; pin numbers are shown on the rear panel;
- 15. HARTING OUTPUT B:** Harting socket for output channels 7 to 12; pin numbers are shown on the rear panel;

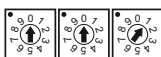
Procedures

1. - Connect correctly and according to your installation all the Lamps to their respective outputs: D1216 (10 / 11 / 12), D1216S (13) and D1216H (14 / 15);
2. - Following the scheme of the Rear Panel, connect the 3 phases, Neutral and Ground (9); For D1216S, connect the Mains Supply Cable;
3. - Verify that all Circuit Breakers (1) are in "ON" position;
4. - Using a screw-driver, turn Preheat Selector (2) Clockwise until Lamps filament bright up;
5. - Choose the Input Connection: DIGITAL (DMX) or ANALOG (0 - 10V);

A - DMX Connection:

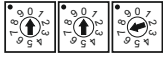
- a) Connect the cable from Mixer to DMX CONTROL INPUT (6);
- b) Using DMX SELECTOR (4), choose the channel that you want your dimmer to start with.

As an example to work with channels 1-12, DMX Selector (4) must be like the picture:



Connections and Controls

As an example to work with channels 13 -24, DMX Selector (4) must be like the picture:



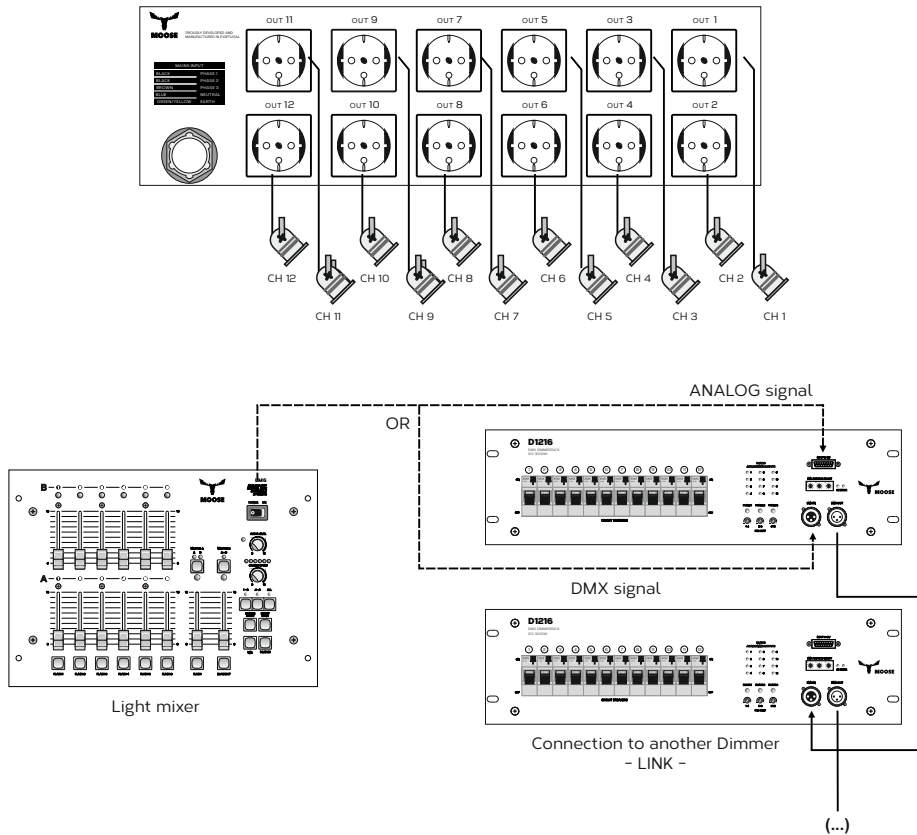
After taking all this steps correctly Green Led indicator must be lighted; If this occurs, communication is "OK" and your dimmer is ready to work. If not, "ERROR" Red Led indicator lights up. It means that something is wrong and you must check and repeat these steps all over again.

B - ANALOG Connection (0-10V):

a) Connect the cable from Mixer to ANALOG CONTROL INPUT (5);

After taking all this steps correctly your dimmer is ready to work.

Connections and Controls



Technical specifications

MODEL	D1216
TYPE	Triac Dimmerpack with mixer
CHANNELS	12 (six)
POWER OUTPUT	3000w
CHANNEL OUTPUT RATING	16 Amps
LOAD TYPE	Resistive and Inductive
OUTPUT CONNECTOR	Shuko, Terminal and Harting
CHANNEL MCB TYPE	1 pole
CURRENT CONTROL TECHNOLOGY	Triac phase-controlled
INDICATORS	M.C.B., DMX status, Phase status
INPUTS	DMX512 (3-pin XLR), Analog (D15)
OUTPUTS	DMX512 (3-pin XLR)
FEATURES	DMX patch addresser, Pre-heat
COOLING FAN	Constant speed fan 80mm / 230V
FAN COOLING CONTROL	Thermal sensor
PROTECTIONS	Overload protection by M.C.B.
OPERATING VOLTAGE	230V AC, 50~60Hz
POWER CONSUMPTION	260VA
DIMENSIONS (WxDxH)	3RU spaces, 385mm depth
WEIGHT	13Kg

PROUDLY DEVELOPED AND
MANUFACTURED IN PORTUGAL

MOOSE is a brand of PROFACTOR S.A.

PROFACTOR S.A

Rua do Padrão 52
4440-617 Valongo
PORTUGAL
Telf.: +351 224 119 160
Fax: +351 224 155 822
info@profactor.pt

MOOSE



www.moesound.com