

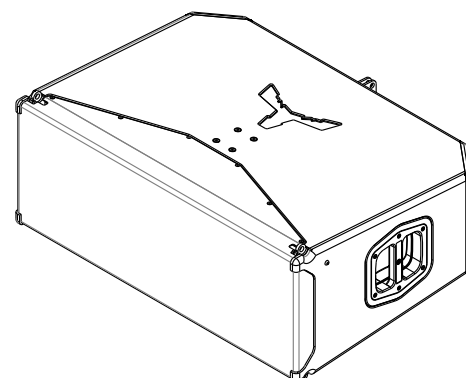
LA21

Presentation:

Compact vertical line array element designed to provide high performance, detailed highs and a well-defined midrange.

The LA21 is a front loaded enclosure, curvilinear array, that features an internal passive crossover, prepared for bi-amp operation, having built-in premium quality EU transducers (2x 10" - 2.56in VC) and 1x 1.4" - 2.56 VC Neodymium HF drivers, both combinations ensuring powerful and crystal clear reproduction, high SPL with an extended frequency response. The MF/HF pattern control is array splay dependent and horizontal coverage is 100° x array length-splay dependent (HXV) thanks to true wave guide horn that ensure consistent and long range projection with very low distortion levels.

LA21 rugged enclosure is manufactured using 15/18mm birch plywood painted in hard-wearing and durable polyurea coating, equipped with fully integrated rigging hardware with quick-release bolts/pins to ensure fast and easy setup, designed for flying and ground stacking applications providing the necessary accessories such as fly bars and dolly/carts for transportation.



Features:

- 2-way Curvilinear array element
- Trapezoidal enclosure
- 2x 10" (2.56in VC) MF (front loaded) EU transducer
- 1x 1.4" (2.56in VC) Neodymium EU driver
- Dual Neutrik NL4 connectors
- Passive or biamp operation (user-selectable)
- Integrated rigging flyware, stacked and flown configurations
- Rugged and durable 15mm birch plywood construction
- Powder coated custom perforated steel grille

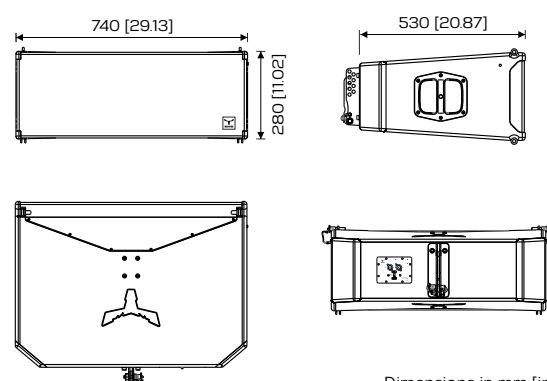
Technical specifications:

Acoustical

Type	2-way passive curvilinear array element
Enclosure design	Trapezoidal array enclosure
Power rating (RMS/Peak)	700W / 2800W
Frequency range	52 - 19.5kHz (-10dB)
Nominal impedance	MF 8 ohm HF: 8 ohm
Transducer type	2x 10" LF (2.56in VC) EU transducer, front loaded 1x 1.4" HF NEO (2.56in VC) EU transducer
Dispersion	100°x array length-splay dependent (HxV)
Crossover frequency	1600Hz Bi-amp operation (user-selectable)
SPL (1W/1kHz)	135dB @ 1m
Sensitivity	100dB
Connector	2x NL4, parallel-connected

Mechanical

Enclosure	15mm birch plywood, rugged polyurea coating
Grille	Custom perforated metal grilles w/ acoustic foam
Color	Black or white textured
Hardware	Integrated steel rigging flyware Splay angle adjustment, 8° (1° increments) Ø9.8mm ball pins w/ stainless steel lanyard with PVC
Dimensions	740x530x280mm 29.13x20.87x11.02in
Weight	29Kg 63.93lb



Dimensions in mm [in]

