



MOOSE
www.moosesound.com

PROUDLY DEVELOPED AND
MANUFACTURED IN PORTUGAL

LANE3200

Active column PA system
Class D amplifier
Integrated DSP



Presentation:

LANE3200 is a versatile self-powered system designed and engineered with premium quality components to deliver superb sound and offering an exceptional performance in a wide variety of applications. The LANE18 is an active subwoofer equipped with an extended low frequency 18" transducer (4in voice coil) created to provide higher maximum SPL, increased program power handling and lower power compression able to withstand high power levels without damage. The column speaker is birch plywood constructed and features a vertical array assembly of 4x 6" (1.46in) EU transducers combined with a 1.4" (2.56in) Neodymium HF driver coupled to a true wave guide horn with 100°x25° dispersion that ensures consistent and long range projection with very low distortion levels. The latest in Class D amplifier technology is incorporated in this LANE3200 system ensuring highly efficient and low distortion output combined with a fully programmable DSP 48kHz (user friendly software) for real time operation regardless the environment providing an acoustically perfect transition between the subwoofer and the mid/high array assembly. Presets (5) can be selected on the rear panel and the amplifier is prepared for 85-264Vac universal mains featuring various electronic protections to guarantee the use of the speaker system in perfect sound and safe operation. There is a wall mount bracket available to allow permanent installation. The LANE3200 is the preferred choice for applications where high pressure levels and exceptional sound quality are needed for a wide range of applications such as live, portable and permanent installation fields.

Features:

- Active "all-in-one" column PA system
- Powerful, accurate and compact set
- 18" (4in) extended LF active subwoofer
- 4x 6" + 1.4" passive column speaker
- Subwoofer driven by a 2ch Class D power amp
- 3-channel amplifier possible (optional)
- Fully programmable built-in DSP 48kHz
- Universal 85-264Vac mains, electronic prot.
- Ø35mm pole mount socket on both elements
- Rugged, 15mm birch plywood w/ polyurea coating

Other pictures:



Front view



Side view



Rear view





MOOSE
www.moosesound.com

PROUDLY DEVELOPED AND
MANUFACTURED IN PORTUGAL

LANE3200

Active column PA system
Class D amplifier
Integrated DSP

Technical specifications:

Acoustical

Type	Active column PA system
Enclosure design	Bass reflex (LANE18) Bass reflex column (T406)
Power handling capacity (LANE18 / T406)	1200W / 500W (RMS) 4800W / 1200W (Peak)
Frequency range	38Hz - 180HZ (LANE18) 110Hz - 20kHz (T406)
Nominal impedance	8Ohm (T406)
Transducer type	18" LF (4in) EU transducer (LANE18) 4x 6" MF (126in) + 1.4" NEO HF (2.56in) EU transducers (T406)
Dispersion	100° x 25°
Crossover frequency	Adjustable by fully programmable DSP
SPL (1W/1kHz)	136dB @ 1m (LANE18) 129dB @ 1m (LANET406)

Electronics

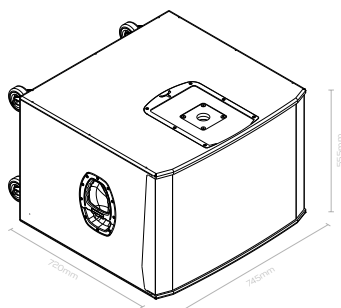
Amplifier type	Class D
Amplifier output	2500W + 700W rms @ 4ohm
Audio input	XLR/Jack combo connector (LANE18) Neutrik® NL4 (T406)
Audio output	XLR 3p female (LANE18) Neutrik® NL4 (T406)
Cooling	40x400mm cooling fan
AC Mains	Switching power supply 85-264Vac universal mains
AC Mains connector	Neutrik® powerCON. Power-in (blue) / Power-out (grey)
Protections	Over current, short circuit, thermal, DC and HF protections

Physical

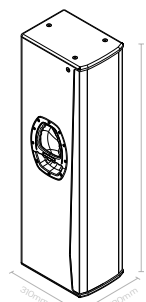
Cabinet	18mm birch plywood (LANE18) 15mm birch plywood (T406)
Grille	Custom perforated metal grilles with protective foam
Color	Black or white textured durable polyurea coating
Hardware	Ø35mm pole mount socket, 3x M10 inserts for rigging (T406)
Dimensions (WxHxD)	745x555x720mm / 29.33x21.85x28.35in (LANE18) 220x995x310mm / 8.66x39.17x12.20in (T406)
Weight	59Kg / 130.07 (LANE18) 25Kg / 55.16lb (T406)

Dimensions:

LANE18



T406



WSL

Wall mounting bracket

