



**MOOSE**  
www.mooseaudio.com

PROUDLY DEVELOPED AND  
MANUFACTURED IN PORTUGAL

# LA210

2-way line array element  
Electronic crossover  
Integrated rigging system



## Presentation:

Compact vertical line array element designed to provide high performance, detailed highs and a well-defined midrange. The series comprises four compact 2-way front loaded (maximum sensitivity) design models, internal passive crossover, two loaded with a 10" and 3in voice coil transducer + 1.4" (2.56in) compression driver (LA10 and LA210) and the others with a 12" and 3in interleaved sandwich voice coil + 1.4" (2.56in) high sensitivity compression driver (LA12 and LA212) both combinations ensuring powerful and crystal clear reproduction, high SPL with an extended frequency response. LA10 and LA12 vertical MF/HF pattern control is array splay dependent and horizontal MF/ HF coverage is 100° thanks a true wave guide horn with phase correction that ensures consistent and long range projection with very low distortion levels. For the active versions, both LA210A and LA212A are equipped with a class D amplifier and a fully programmable DSP (user friendly software) for real time operation according to different environments and music styles. With 5 presets than can be loaded on the rear panel, the class D amplifier is prepared for 85-264Vac universal mains and features various electronic protections to guarantee the use of the speaker system in perfect sound and safe operation. LARRAY rugged enclosure is manufactured using 15mm birch plywood painted in hard-wearing and durable, equipped with fully integrated rigging hardware with quick-release magnetic pins to ensure fast and easy setup, designed both for flying and ground stack applications. The LARRAY series is the perfect in live sound reinforcement solution to be used in small to medium live events, as well as permanent installation

## Features:

- Front loaded array element
- 2-way passive (internal crossover)
- 2x 10" MF (3in VC) + 1.4" HF (2.56in VC)
- High perform. and crystal clear reproduction
- True wave guide horn with phase correction
- Faithful dynamic response and great range
- Integrated rigging system for stacked and flown configurations
- Rugged and durable 15mm birch plywood

## Other pictures:



Front view



Side view



Perspective front view





**MOOSE**  
www.mooseaudio.com

PROUDLY DEVELOPED AND  
MANUFACTURED IN PORTUGAL

# LA210

2-way line array element  
Electronic crossover  
Integrated rigging system

## Technical specifications:

### Acoustical

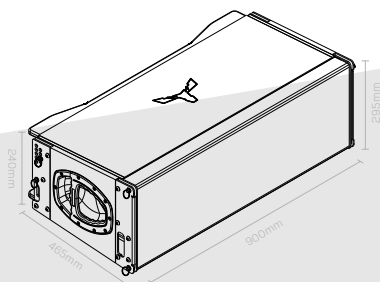
Type	2-way passive line array element
Enclosure design	Trapezoidal array enclosure
Power handling capacity	1000W (RMS) 1400W (Program) 3000W (Peak)
Frequency range	85 - 18kHz
Nominal impedance	4Ohm
Transducer type	2x 10" MF (3in) EU transducers 1.4" HF Neo (2.56in) EU transducers
Dispersion	Horizontal: 100° Vertical: 7°
Splay angle settings	0° - 8° (1° increment)
Crossover frequency	1600Hz
SPL max. (1W/1kHz)	134dB @ 1m
Connectors	2x Speakon NL4 (parallel)

### Physical

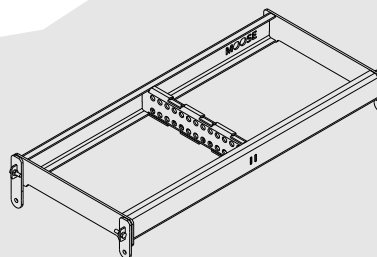
Cabinet	15mm birch plywood, rugged polyurea coating
Grille	Custom perforated metal grilles w/ acoustic foam
Color	Black textured
Hardware	Integrated steel rigging system (magnetic pins included)
Dimensions	900x295x465mm / 35.4x11.6x18.3in
Weight	36Kg / 79lb

## Dimensions:

LARRAY  
LA210



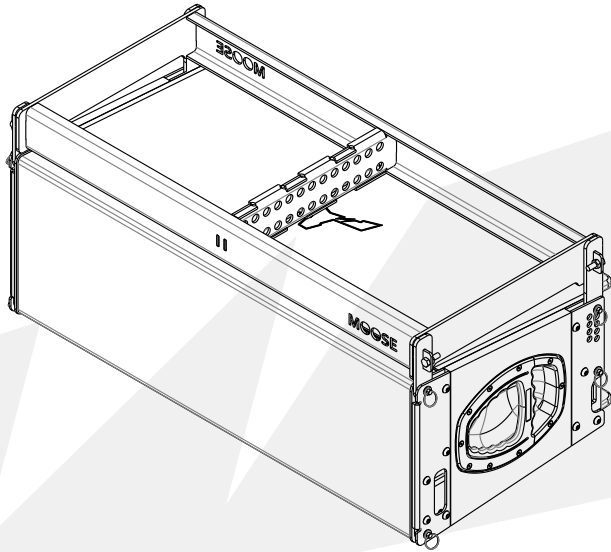
LARRAY  
FL-LA210



Base de dados:	Guilhotina:
Ordem:	Quinadora:
Referência:	Puncionadora:

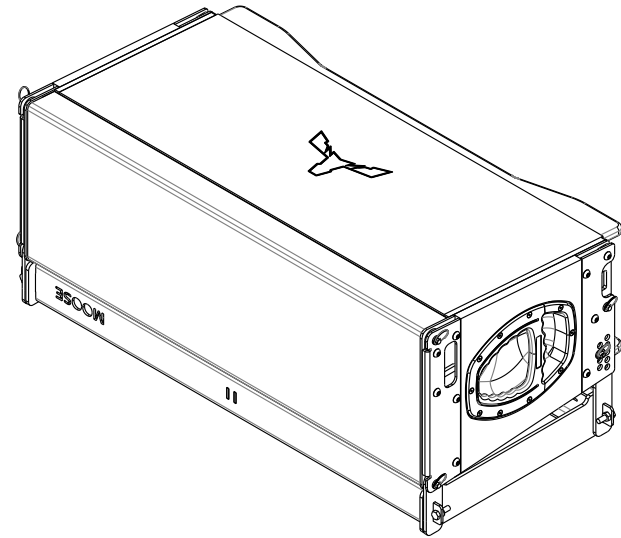


## FLYING

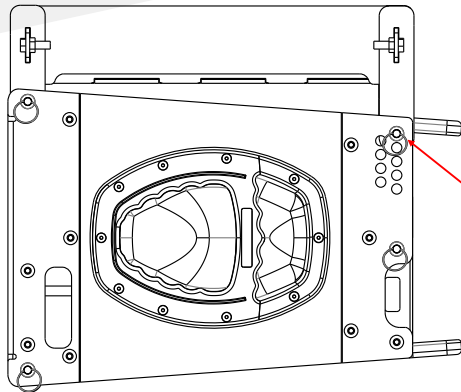


## GROUND

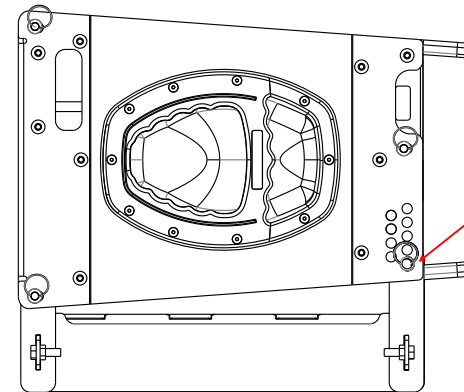
Speaker upside down



Rigging frame + Speaker upside down



The first speaker to fix on the first splay angle hole. You have the speaker parallel to the rigging frame.



The first speaker to fix on the first splay angle hole. You have the speaker parallel to the rigging frame.

## LA210

Usage in ground stacking or flown configuration

	Tolerâncias	ISO 2768 CLASSE - M	Revisão		Cliente	
	Espessura		Substitui		Nome do desenho	
Ref.º do Aparelho	Material		Unidades	mm	LA210 rigging frame	
XXXX	Páginas	1 / 1	Cor			
Des. nº.	Nome do ficheiro				desenhou	aprovou
DSS	Localização				cata	
					nome	