

IB15

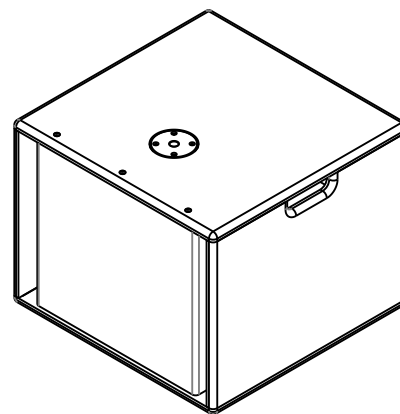
Presentation:

The INSTALL SUB subwoofer series were designed to be an universally useable solution for installations seeking for a discrete but compact and effective subwoofer. Its bass reflex design is engineered to be as compact as possible while giving the maximum performance in terms of sound quality and bass response to any a PA installation.

The series comprises 4 models, IB 8 with a 8" (1.5in VC), IB12 with a 12" (2.95in VC), IB15 with a 15" (4in VC) and IB212 with 2x 12" (2.5in VC) all equipped with rubber surround EU transducers to provide excellent power density in compact enclosures.

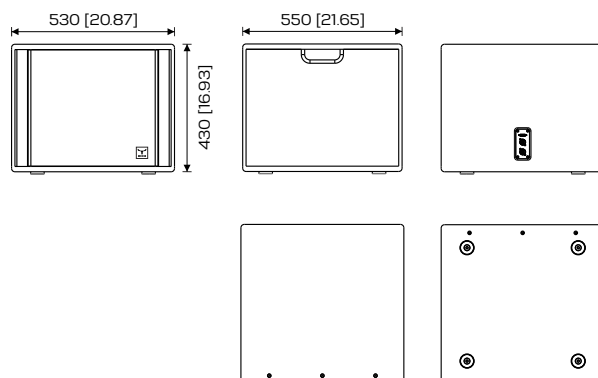
This INSTALL SUB series is the perfect partner to work with MOOSE INSTALL and LINEA series series acting as a supplement in PA installations to complete the existing sound with a deep and extended low frequency response, the ideal solution to any installed sound applications where space is limited allows close placement to any wall or corner.

The perfect solution for bars and restaurants, hotels, retail, etc.



Features:

- Bass reflex installation subwoofer
- Available in passive/active versions
- 1x 15" (4in VC) LF EU transducer
- 1000W AES / 1400W Program power
- 2x NL4 connectors in parallel
- Active version driven by class D amplifier, variable X-over frequency
- Versatile, compact to permit unobtrusive placement
- Wall mount bracket (optional)
- Rugged and durable 15mm birch plywood construction
- Powder coated custom perforated steel grille



Dimensions in mm [in]

Technical specifications:

Acoustical

Type	Compact passive subwoofer
Enclosure design	Bass reflex
Power rating (RMS/Program)	700W / 1400W
Frequency range	38 - 160Hz (-10dB)
Nominal impedance	8 ohm
Transducer type	1x 15" LF (4in VC) EU transducer
Crossover frequency	N/A
SPL (1W/1kHz)	130dB @ 1m (peak)
Sensitivity	94dB
Connector	2x NL4 in parallel

Mechanical

Enclosure	15mm birch plywood, rugged polyurea coating
Grille	Custom perforated metal grilles w/ acoustic foam
Color	Black or white textured
Hardware	4 rubber feet
	M20 threaded SM720 pole mount
	Wall mount brackets (optional)
Dimensions	530x550x430mm 20.87x21.65x16.93in
Weight	29Kg 63.93lb

