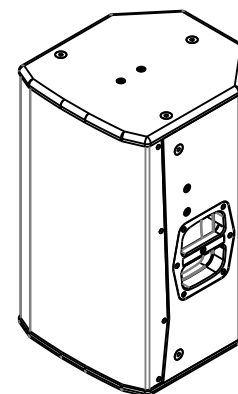


Presentation:

The DUAL C10 is a trapezoidal-wedged shape multipurpose speaker for use in PA systems or as an on-stage monitor that features a 10" low frequency transducer of 2 in VC capable of delivering excellent dynamic range, flat frequency response and a very low distortion figure which combined with 1" (1.73in VC) HF driver result in a superb sound and exceptional performance.

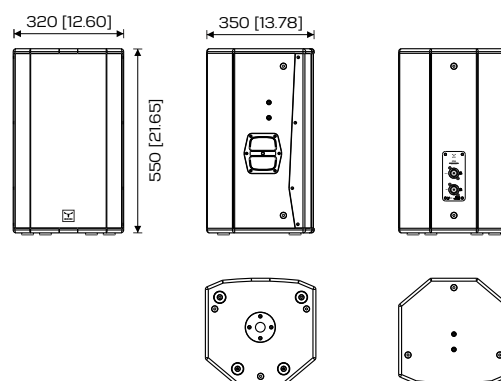
This C10 is prepared to be used as a stage monitor or as a pole mount speaker as the 90°x60° and 60°x90° CD horn can be rotated for vertical and horizontal operation in order to achieve the ideal sound dispersion.

DUAL rugged enclosures are manufactured using 15mm birch plywood painted in hard-wearing and durable polyurea coating, being prepared to be used in flown configuration through 3x M8 inserts and in pole mount thanks to a Ø35mm socket with 0°/5° tilt. This range of Speakers offers exceptional performance making it the perfect professional solution for clubs, bands and DJs and anywhere there is a need for dependable high performance multipurpose loudspeakers.



Features:

- Multipurpose 2-way passive speaker
- Bass reflex trapezoidal enclosure
- 10" (2.5in VC) MF + 1" (1.73in VC) HF EU transducers
- 2x NL4 connected in parallel
- User-rotatable CD horn 90°x60° for ideal dispersion
- Ø35mm pole mount with 0° and 5° tilt
- Integrated rigging system with 3x M10 inserts
- Rugged and durable 15mm birch plywood
- Powder coated custom perforated steel grille



Technical specifications:

Acoustical

| | |
|-------------------------|--------------------------------------------------------------------------------------|
| Type | 2-way passive multipurpose speaker |
| Enclosure design | Bass reflex, trapezoidal |
| Power rating (RMS/Peak) | 360W / 1400W |
| Frequency range | 75 - 18kHz |
| Nominal impedance | 8 ohm |
| Transducer type | 1x 10" LF (2in VC) EU transducer, front loaded 1x 1" HF (1.73in VC) EU transducer |
| Dispersion | CD horn, 90°x60° and 60°x90° user-rotatable |
| Crossover frequency | 2000Hz |
| SPL (1W/1kHz) | 125dB @ 1m |
| Sensitivity | 93dB |
| Connector | 2x NL4, parallel-connected |

Mechanical

| | |
|------------|---------------------------------------------------------------------------------------------------------------|
| Enclosure | 15mm birch plywood, rugged polyurea coating |
| Grille | Custom perforated metal grilles w/ acoustic foam |
| Color | Black or white textured |
| Hardware | Ø35mm pole mount with 5° tilt 3x M10 flying points "U" bracket for horizontal and vertical installation |
| Dimensions | 320x350x550mm 12.60x13.78x21.65in |
| Weight | 18Kg 39.68lb |