

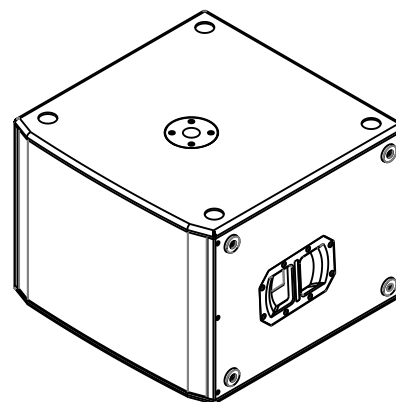
## Presentation:

The BASS series offers a professional and compact passive and active subwoofers range becoming the perfect choice for sound reinforcement challenges demanding high SPL and natural sounding bass response designed to enhance the ultra-low bass of an existing PA system.

This G15 is built on a Reflex Loaded design equipped with a 15" (4in) LF transducer capable of delivering 700W AES (2800W peak), chosen to provide clean, undistorted low frequency reproduction at very high sound pressure levels and able to withstand high power levels without damage.

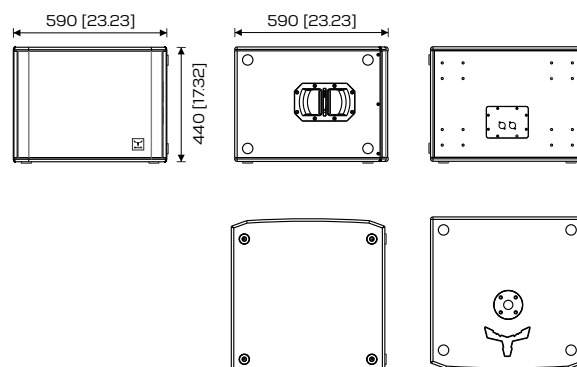
To ensure a perfect matching and avoid undesired vibrations during high SPL operation the enclosures are constructed in 18mm reinforced birch plywood with a rugged and durable polyurea coating.

The ergonomic carrying handles permit a secure grip from all sides and convenient transport and all models are prepared to accept 4 swivel castors with 16x M6 inserts on the back. Punch and bass sensation do not have to be incompatible factors and this BASS series truly is a great example.



## Features:

- Bass reflex subwoofer
- 1x 15" (4in VC) LF EU transducer
- 700W AES / 2800W Peak power
- 2x NL4 connected in parallel
- Versatile, compact and coherent subwoofer
- Made for an impact bass
- Recesses on the top to facilitate the stacking
- Rugged and durable 18mm birch plywood construction
- Powder coated custom perforated steel grille



Dimensions in mm [in]

## Technical specifications:

### Acoustical

Type	Compact passive subwoofer
Enclosure design	Reflex loaded
Power rating (RMS/Peak)	700W / 2800W
Frequency range	32 - 250Hz (-10dB)
Nominal impedance	80hm
Transducer type	1x 15" LF (4in VC) EU transducer
Crossover frequency	35Hz Butterworth 18dB (low cut filter)
SPL (1W/1kHz)	130dB @ 1m
Sensitivity	94dB
Connector	2x NL4, parallel-connected

### Mechanical

Enclosure	18mm birch plywood, rugged polyurea coating
Grille	Custom perforated metal grilles w/ acoustic foam
Color	Black or white textured
Hardware	4 rubber feet, 2 side handles Ø35mm pole mount socket Prepared for stacking
Dimensions	590x590x440mm   23.23x23.23x17.32in
Weight	35Kg   77.16lb

