

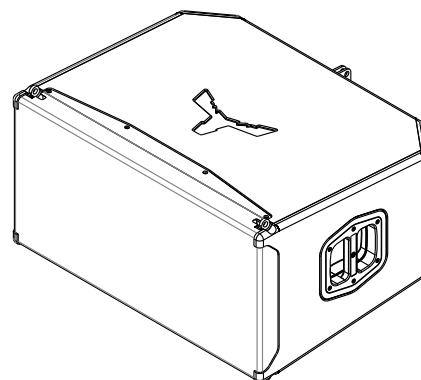
LA12

Presentation:

Compact vertical line array element designed to provide high performance, detailed highs and a well-defined midrange.

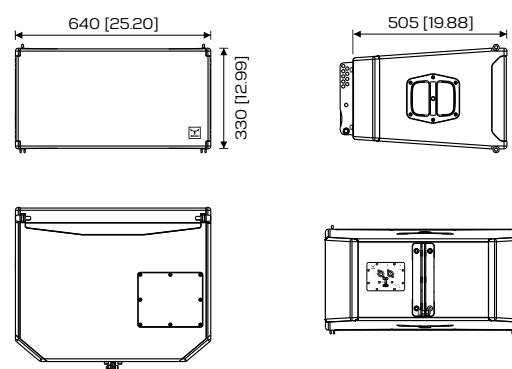
The LA12 is a front loaded enclosure that features an internal passive crossover, prepared for bi-amp operation, having built-in premium quality EU transducers (1x 12" - 3in VC) and 1x 1.4" - 2.56 VC Neodymium HF drivers, both combinations ensuring powerful and crystal clear reproduction, high SPL with an extended frequency response. The MF/HF pattern control is array splay dependent thus offering a coverage of 100°x7° (HXV) thanks to true wave guide horn that ensure consistent and long range projection with very low distortion levels.

LA12 rugged enclosure is manufactured using 15/18mm birch plywood painted in hard-wearing and durable polyurea coating, equipped with fully integrated rigging hardware with quick-release bolts/pins to ensure fast and easy setup, designed for flying and ground stacking applications providing the necessary accessories such as fly bars and dolly/carts for transportation.



Features:

- 2-way Front loaded array element
- Trapezoidal enclosure
- 1x 12" (3in VC) MF (front loaded) EU transducer
- 1x 1.4" (2.56in VC) Neodymium EU driver
- Dual Neutrik NL4 connectors
- Passive or biamp operation (user-selectable)
- Integrated rigging flyware, stacked and flown configurations
- Rugged and durable 15mm birch plywood construction
- Powder coated custom perforated steel grille



Dimensions in mm [in]

Technical specifications:

Acoustical

Type	2-way passive line array element
Enclosure design	Trapezoidal array enclosure
Power rating (RMS/Peak)	650W / 2600W
Frequency range	62 - 20kHz (-10dB)
Nominal impedance	8 ohm
Transducer type	1x 12" LF (3in VC) EU transducer, front loaded 1x 1.4" HF NEO (2.56in VC) EU transducer
Dispersion	100°x7° (HxV)
Crossover frequency	1600Hz
	Bi-amp operation (user-selectable)
SPL (1W/1kHz)	131dB @ 1m
Sensitivity	97dB
Connector	2x NL4, parallel-connected

Mechanical

Enclosure	15mm birch plywood, rugged polyurea coating
Grille	Custom perforated metal grilles w/ acoustic foam
Color	Black or white textured
Hardware	Integrated steel rigging flyware Splay angle adjustment, 8° (1° increments) Ø9.8mm ball pins w/ stainless steel lanyard with PVC
Dimensions	640x505x330mm 25.20x19.88x12.99in
Weight	29Kg 63.93lb

