

G212A

Presentation:

The BASS series offers a professional and compact passive and active subwoofers range becoming the perfect choice for sound reinforcement challenges demanding high SPL and natural sounding bass response designed to enhance the ultra-low bass of an existing PA system.

This G212A is built on a 5th order band-pass design equipped with 2x 12" (4in) LF transducers capable of delivering 1400W AES (2800W program), chosen to provide clean, undistorted low frequency reproduction at very high sound pressure levels and able to withstand high power levels without damage with a solid punch.

The active version features a powerful class D single channel amplifier delivering 2400W @ 4ohm connected to a fully programmable DSP providing low-ranging yet clearly defined bass response and rendering impulses with great accuracy in a very compact and robust enclosure. The amplifier module is prepared for universal 85-264Vac mains input and features various electronic protections.

To ensure a perfect matching and avoid undesired vibrations during high SPL operation the enclosures are constructed in 18mm reinforced birch plywood with a rugged and durable polyurea coating. The ergonomic carrying handles permit a secure grip from all sides and convenient transport and all models are prepared to accept 4 swivel castors with 16x M6 inserts on the back. Additionally there are recesses on the top to facilitate the stacking of another subwoofer. This G212A can be either used horizontally or vertically.

Features:

- 5th order Band-Pass Subwoofer, ACTIVE 2x 12" (4in VC) LF EU
- transducers
- 1400W (AES) / 2800W (Program) power
- Versatile, compact, coherent and powerful subwoofer
- Single channel Class D amplifier with integrated DSP
- Universal 85-264Vac mains, SMPS with PFC
- Prepared for stacking, vertical and horizontal operation
- Recesses on the top to facilitate the stacking
- Rugged and durable 18mm birch plywood construction
- Powder coated custom perforated steel grille

Technical specifications:

Acoustical

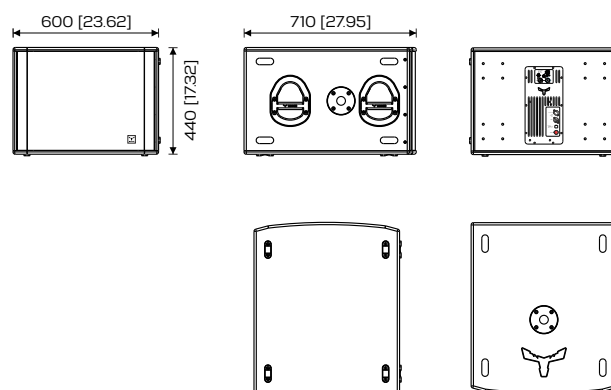
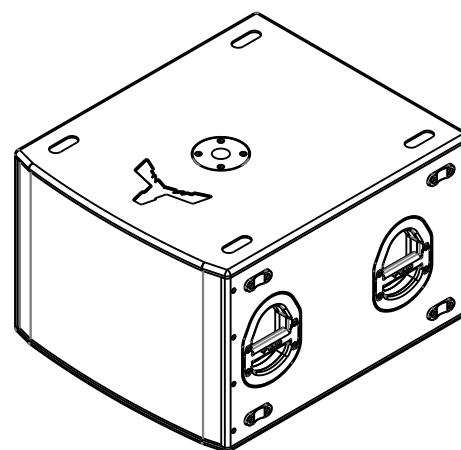
Type	Compact active subwoofer
Enclosure design	5th order band-pass
Power rating (RMS/Program)	1400W / 2800W
Frequency range	35 - 200Hz (-6dB)
Nominal impedance	N/A
Transducer type	2x 12" LF (4in VC) EU transducer
Crossover frequency	30Hz Butterworth 18dB (low cut filter)
SPL (1W/1kHz)	137dB @ 1m

Mechanical

Enclosure	15mm birch plywood, rugged polyurea coating
Grille	Custom perforated metal grilles w/ acoustic foam
Color	Black or white textured
Hardware	4 rubber feet, 4 side handles 4 swivel castors (optional) Prepared for stacking with rubber feet
Dimensions	Ø35mm pole mount socket, vertical and horizontal 600x440x710mm 23.62x17.32x27.95in
Weight	51Kg 114.43lb

Amplifier Module

Type	Single channel Class D
Output Power	2400W / 4ohm
Internal Processing	Fully programmable DSP 48KHz sampling frequency 24 bit AD/DA converter
Audio input/output	XLR/Jack combo connector XLR/M 3p
Indicators	Power, signal/preset, status, clip
Controls	Master level control, 4 selectable presets
AC Mains	SMPS with PFC, 85-264Vac universal mains
AC Mains connector	Neutrik® powerCON, Power-in/Power-out
Protections	Over current, short circuit, thermal, DC and HF



Dimensions in mm [in]