

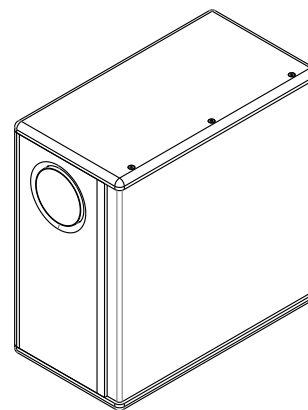
Presentation:

The INSTALL SUB subwoofer series were designed to be an universally useable solution for installations seeking for a discrete but compact and effective subwoofer. Its bass reflex design is engineered to be as compact as possible while giving the maximum performance in terms of sound quality and bass response to any a PA installation.

The series comprises 4 models, IB 8 with a 8" (1.5in VC), IB12 with a 12" (2.95in VC), IB15 with a 15" (4in VC) and IB212 with 2x 12" (2.5in VC) all equipped with rubber surround EU transducers to provide excellent power density in compact enclosures.

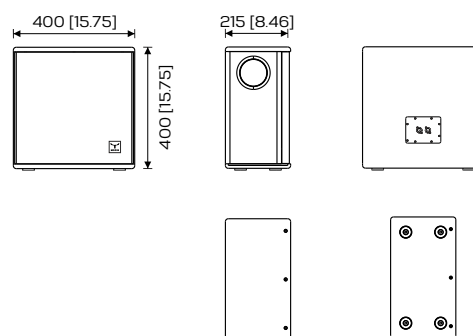
This INSTALL SUB series is the perfect partner to work with MOOSE INSTALL and LINEA series series acting as a supplement in PA installations to complete the existing sound with a deep and extended low frequency response, the ideal solution to any installed sound applications where space is limited allows close placement to any wall or corner.

The perfect solution for bars and restaurants, hotels, retail, etc.



Features:

- Bass reflex installation subwoofer
- Available in passive/active versions
- 1x 8" (1.5in VC) LF EU transducer
- 200W AES / 400 Program power
- 2x NL4 connectors in parallel
- Active version driven by class D amplifier, variable X-over frequency
- Versatile, compact to permit unobtrusive placement
- Supplied with wallmount brackets
- Rugged and durable 15mm birch plywood construction
- Powder coated custom perforated steel grille



Technical specifications:

Dimensions in mm [in]

Acoustical

| | |
|----------------------------|-----------------------------------|
| Type | Compact passive subwoofer |
| Enclosure design | Bass reflex |
| Power rating (RMS/Program) | 200W / 400W |
| Frequency range | 40 - 160Hz (-10dB) |
| Nominal impedance | 8 ohm |
| Transducer type | 1x 8" LF (1.5in VC) EU transducer |
| Crossover frequency | N/A |
| SPL (1W/1kHz) | 121dB @ 1m (peak) |
| Sensitivity | 90dB |
| Connector | 2x NL4, parallel-connected |

Mechanical

| | |
|------------|--|
| Enclosure | 15mm birch plywood, rugged polyurea coating |
| Grille | Custom perforated metal grilles w/ acoustic foam |
| Color | Black or white textured |
| Hardware | 4 rubber feet Wallmount brackets (supplied) |
| Dimensions | 400x215x400mm 15.75x8.46x15.75in |
| Weight | 11Kg 24.25lb |

