

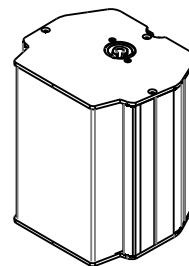
Presentation:

The Installation series speakers is the right choice to anyone that wants to install loudspeakers into a wall or into a ceiling matching the high quality sound requirements for modern indoor spaces. Extremely compact, accurate and good looking the FR speakers can also be complemented with a number of MOOSE subwoofer systems.

This IK4 is a very special speaker that features a FR 4" (0.75in VC) @ 16ohm speaker with rubber surround capable of covering a wide response frequency range.

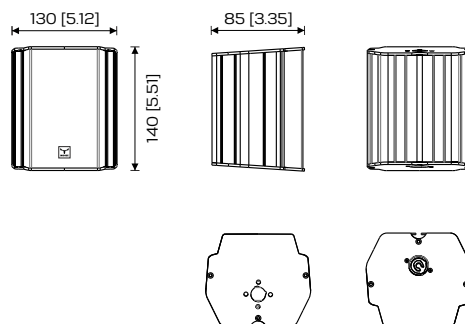
The IK4 has a unique connecting system that allows a very easy and quick installation procedure for an expandable array system suited for small permanent or portable installations.

This IK4 array is prepared to be wall mounted or flown having two types of metal frames available. The curvature of the array is fixed and given by the number of speakers being part of the set up to a maximum of 8 speakers for a total impedance of 2ohm for such configuration.



Features:

- FR passive installation speaker
- Elegant, refined and lightness design
- 4" (0.75in) FR EU transducer
- Customized self locking connector between speakers
- Up to 4 speakers can be connected in parallel
- Prepared for wall/ceiling mounting
- Flying frame available adjustable in 1-axis
- Rear screw locking system for additional safety
- AL profile, textured white/black powder coating



Dimensions in mm [in]

Technical specifications:

Acoustical

Type	FR passive installation speaker
Enclosure design	Bass reflex
Power rating (RMS/Program)	40W / 80W
Frequency range	150 - 18kHz
Nominal impedance	16 ohm
Transducer type	4" FR (0.75in) EU transducer
Dispersion	120°x120°
Crossover frequency	N/A
SPL (1W/1kHz)	104dB @ 1m
Connector	Customized self locking connector between speakers

Mechanical

Enclosure	AL profile, textured white/black powder coating
Grille	Custom perforated metal grilles w/ acoustic foam
Color	Black or white textured
Hardware	Wall mount and flying frame available Flying frame available adjustable in 1-axis Locking system between speakers
Dimensions	130x85x140mm 5.12x3.35x5.51in
Weight	1.5Kg 3.30lb

