

HL218

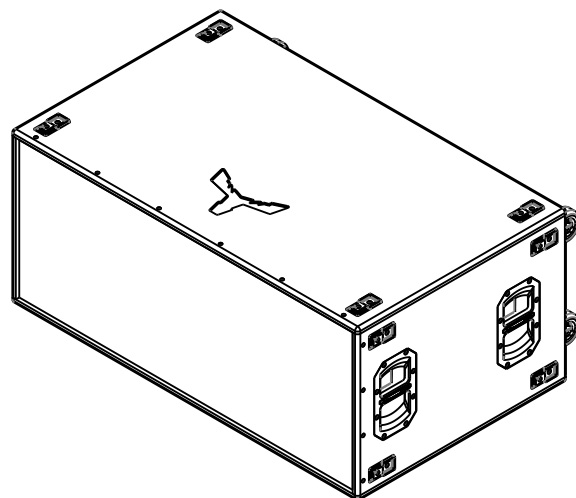
Presentation:

The HL series is a horn-loaded subwoofer range designed to satisfy the need for an extreme high-SPL sub bass loudspeaker system for use in applications requiring accurate and powerful reproduction of low frequency energy at very high levels.

This HL218 incorporates 2 (two) high performance 18" extended LF Neodymium transducer (4in voice coil) with high heat dissipation to allow the subwoofer to produce a continuously high SPL over a long time, increased program power handling and lower power compression delivering a uniform and stable frequency response at all power levels. Both drivers are enclosed in two separate folded chambers, to magnify the sound from the drivers and deliver the intense, high SPL needed for large venues and outdoor events.

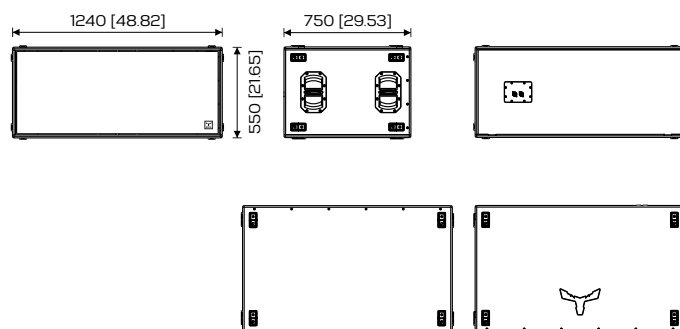
The enclosure is constructed from 18mm plywood having a rugged and durable polyurea coating, equipped with recessed carrying handles and stacking feet. The cabinet is prepared to fit heavy duty wheels to aid in handling and transportation.

The HL series is engineered to provide maximum output with minimal distortion and smooth extended low frequency response and thanks to its long throw range, accuracy, high definition bass reproduction, the HL18/HL218 is suited for both fixed and mobile systems, nightclubs, large scale concert touring and festival applications integrated into line array applications.



Features:

- Double horn-loaded subwoofer
- High power density, high level output
- Excellent "punch", extended Low frequency
- 2x 18" (4in VC) Neodymium EU transducer (high excursion)
- Extended sub frequency response to 30 Hz
- 2x NL4 parallel-connected
- Rugged and durable 18mm birch plywood construction
- Black textured Polyurea coating
- Powder coated custom perforated steel grille
- Recesses on the top to facilitate the stacking
- Heavy duty wheel casters on the back (optional)



Dimensions in mm [in]

Technical specifications:

Acoustical

Type	Compact passive subwoofer
Enclosure design	Horn-loaded
Power rating (RMS/Peak)	2400W / 9600W
Frequency range	29 - 180Hz (-6dB)
Nominal impedance	4Ohm
Transducer type	1x 18" LF (4in VC) EU transducer
Crossover frequency	25Hz Butterworth 18dB (low cut filter)
SPL (1W/1kHz)	142dB @ 1m (continuous)
Sensitivity	104dB
Connector	2x NL4, parallel-connected

Mechanical

Enclosure	18mm birch plywood, rugged polyurea coating
Grille	Custom perforated metal grilles w/ acoustic foam
Color	Black or white textured
Hardware	4 rubber feet, 2 side handles Ø35mm pole mount socket Prepared for stacking
Dimensions	1240x750x550mm 48.82x29.53x21.65in
Weight	80Kg 176.37lb

