

LANE1400+

Presentation:

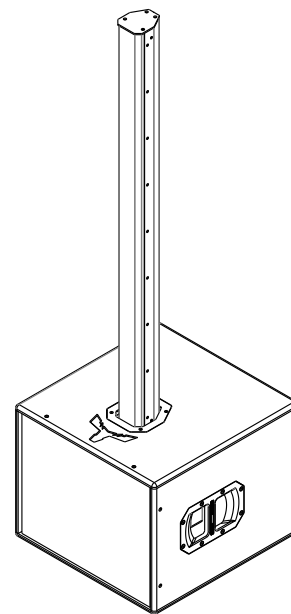
LANE1400+ is a reinforced and upgraded version of its younger brother LANE1400 system, a versatile self-powered system endowed with high quality components designed to deliver superb sound and offering an exceptional performance in a wide variety of applications.

The LANE15+ active subwoofer is equipped with a 15" (4in voice coil) EU transducer chosen to provide clean, undistorted low frequency reproduction at very high sound pressure levels and able to withstand high power levels without damage.

The T803 column speaker constructed in aluminum features a vertical array assembly of 8x 3" (0.75in VC) EU transducers plus a 1" (0.98in VC) HF driver which combined with the subwoofer results in a rock-solid low end and smooth, detailed highs and a well-defined midrange combination.

The latest in Class D amplifier technology is incorporated with a 2-channel Class D amplifier and a DSP for real time operation and 4 user-selectable presets according to different environments and music styles providing an acoustically perfect transition between the subwoofer and the mid/high array assembly. The class D amplifier is prepared for 85-264Vac global mains voltage (SMPS with PFC) and features various electronic protections to guarantee the use of the speaker system in perfect sound and safe operation.

The LANE1400+ system offers a custom multi-pin connector to minimize setup time for a truly "Plug and Play" system for a wide range of applications and venues, for portable and permanent installation fields.



Features:

- Active "all-in-one" column PA system
- Great coverage and well-balanced sound distribution
- 15" (4in VC) LF active subwoofer
- 8x 3" (0.75in VC) + 1" (0.98in VC) passive column speaker
- Driven by a 2-channel Class D power amplifier
- Fully programmable DSP with selectable presets (4)
- Universal 85-264Vac mains for the active versions
- Multi-pin connector to minimize setup time
- Rugged and durable 15mm birch plywood with polyurea coating
- Optional T803 extender for additional 500mm height

Technical specifications:

Acoustical

Type	Active column PA system
Enclosure design	Bass reflex [LANE15+] Column sealed [LANE T803]
Power rating (RMS/Peak)	1000W / 1400W [LANE15+] 200W / 350W [LANE T803]
Frequency range	40 - 20kHz (-10dB)
Nominal impedance	N/A
Transducer type	15" (4in VC) LF EU woofer [LANE 15+] 8x 3" (0.75in VC) MF EU transducer 1" (0.98in VC) HF EU transducer
Dispersion	120° horizontal
Crossover frequency	DSP controlled with selectable presets 48KHz sampling frequency 24 bit AD/DA converter
SPL (1W/1kHz)	132dB @ 1m

Mechanical

Enclosure	15mm birch plywood, rugged polyurea coating Extruded aluminum profile w/ black powder coating Custom perforated metal grilles w/ acoustic foam Black or white textured
Grille	4 rubber feet, 2 side handle [LANE15+] 4 rubber feet on the back to protect the amp
Color	Plug-and-play column fitting Custom multi-pin connector for T803 Height extender available (500mm) Prepared to fit a Pull-out Trolley handle (3472)
Hardware	530x550x430mm / 20.87x21.65x16.93in [LANE15+] 107x95x1320mm / 4.21x51.97x3.74in [LANE T803]
Dimensions	33Kg / 72.8lb [LANE15+] 8Kg / 17.6lb [LANE T803]
Weight	



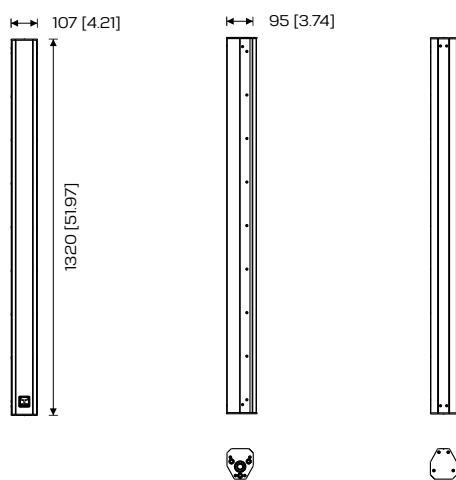
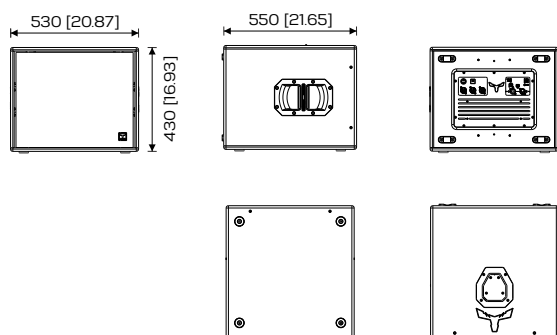
LANE1400+

Technical specifications:

Amplifier Module

Type	Two channel Class D
Output Power	800W + 400WW / 4ohm
Internal Processing	Fully programmable DSP 48KHz sampling frequency 24 bit AD/DA converter
Audio input/output	XLR/Jack combo connector XLR/M 3p
Indicators	Power, signal/preset, status, clip
Controls	Master level control, 4 selectable presets
AC Mains	SMPS with PFC, 85-264Vac universal mains
AC Mains connector	Neutrik® powerCON, Power-in/Power-out
Protections	Over current, short circuit, thermal, DC and HF

Dimensions:



Dimensions in mm [in]