

Presentation:

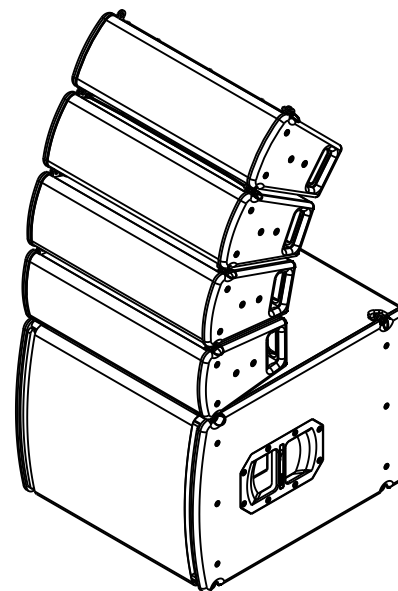
LOUD+ is a reinforced and upgraded version of its younger brother LOUD system, probably being one of the most surprising and representative member of the new generation of active LA compact systems developed to deliver premium performance.

Each "side" of this active line array system compromises four mid/high passive array elements each loaded with a 2x 5" (1.26in VC, rubber surround) MF woofers + 1" (0.98in VC) HF compression driver coupled to a wave guide horn. All 4 passive satellites are driven by an active bass reflex designed subwoofer that features a 15" LF (4in) EU transducer.

The latest in Class D amplifier technology is incorporated with a 2-channel Class D amplifier ensuring ultra-quiet, highly efficient and low distortion output enhanced by a DSP for real time operation and 4 user-selectable presets according to different environments and music styles providing an acoustically perfect transition between the subwoofer and the mid/high array assembly. The class D amplifier is prepared for 85-264Vac global mains voltage (SMPS with PFC) and features various electronic protections to guarantee the use of the speaker system in safe operation.

Each enclosure comes with an integrated steel rigging flyware to couple with two metal frames: one to fly or ground stack the system and another to use it on a Ø35mm pole mount.

With high quality components and high-tech amplifier LOUD+ achieves extremely high performance with tight, rock-solid low end, with smooth, detailed highs and a well-defined midrange making this system the ultimate in "all-in-one" complete and convenient "plug-n-play" PA system solution for small to medium size applications.



Features:

- Compact self-powered line array system
- Suited for small and medium size venues
- 15" (4in VC) LF active subwoofers
- 2x 5" (1.26in VC) MF rubber surround woofer
- 1" (0.98in VC) HF driver, LOUD205+ passive satellite
- Subwoofers driven by a 2ch Class D amplifier
- Built-in DSP with 4 selectable presets
- Universal 85-264Vac mains supply
- Prepared for ground stacking and flying configurations
- Rugged and durable polyurea coating
- Great flexibility in shaping array curvature

Technical specifications:

Acoustical

Type	Active line array system
Enclosure design	Bass reflex [LOUD15+] Bass reflex [LOUD205+]
Power rating (RMS/Peak)	1000W / 1400W [LOUD15+] 200W / 380W [LOUD205+]
Frequency range	40 - 19kHz (-6dB)
Nominal impedance	N/A
Transducer type	15" (4in VC) LF woofer [LOUD15+] 2x 5" (1.26in VC) MF woofer [LOUD205+] 1" (0.98in VC) HF driver [LOUD205+] EU transducers
Dispersion	120° horizontal Array splay dependant vertical coverage
Crossover frequency	DSP controlled with selectable presets 48kHz sampling frequency 24 bit AD/DA converter
SPL (1W/1kHz)	132dB @ 1m

Mechanical

Enclosure	15mm birch plywood [LOUD15+] 15mm birch plywood [LOUD205+] Rugged polyurea coating
Grille	Custom perforated metal grilles w/ acoustic foam
Color	Black or white textured
Hardware	4 rubber feet [LOUD15+] 1 side handle [LOUD15+] Integrated steel rigging flyware FL-LOUD15+, flying frame FS-LOUD205+, ground stacking frame WBLOUD205+, wall mount bracket
Dimensions (WxDxH)	530x615x430mm / 20.87x24.21x16.93in [LOUD15+] 530x250x170mm / 20.87x9.84x6.69in [LOUD205+]
Weight	36.5Kg / 80.47lb [LOUD15+] 8.5Kg / 18.74lb [LOUD205+]

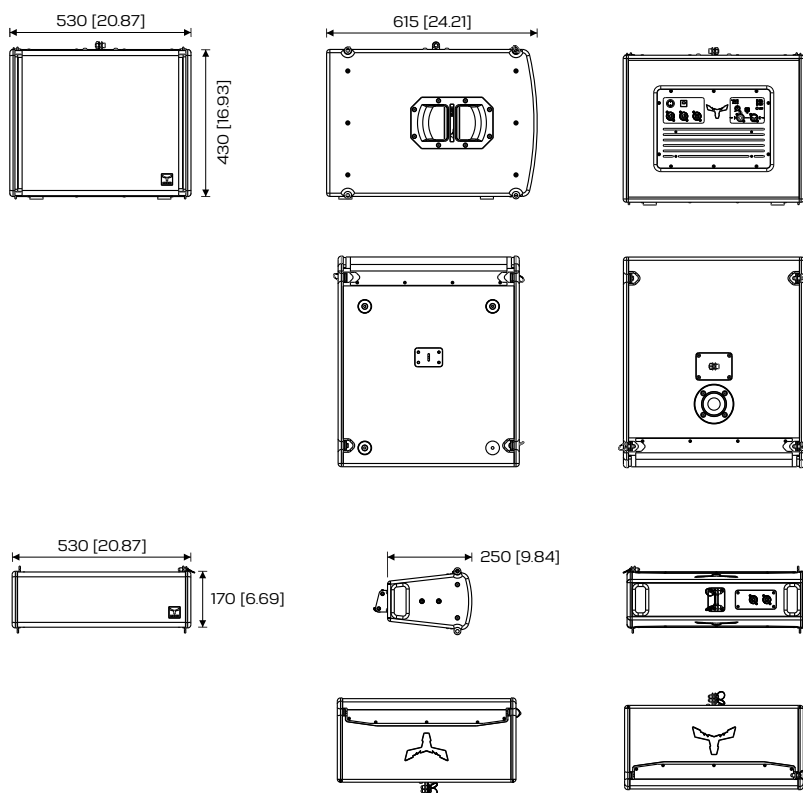


Technical specifications:

Amplifier Module

Type	Two channel Class D
Output Power	800W + 400W
	Expandable system
Internal Processing	Fully programmable DSP
	48KHz sampling frequency
	24 bit AD/DA converter
Audio input/output	XLR/Jack combo connector
	XLR/M 3p
Cooling	Cooling by convection
Indicators	Power, signal/preset, status, clip
Controls	Master level control, 4 selectable presets
AC Mains	SMPS with PFC, 85-264Vac universal mains
AC Mains connector	Neutrik® powerCON, Power-in/Power-out
Protections	Over current, short circuit, thermal, DC and HF

Dimensions:



Dimensions in mm [in]

