

LA212

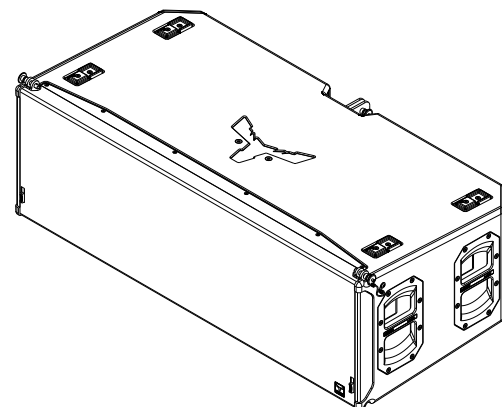
Presentation:

The LA212 is a compact and powerful 3-way line array element designed to deliver nothing but high performance, detailed highs and a well-defined midrange.

Based on a "hybrid" configuration/layout, the LF section features 2x 12" (3in VC) LF neo woofers horn-loaded, the MF section 4x 6" (2in VC) neo woofers, front loaded with phase correction and the HF section with 2x 1.4" (3in VC) neo coupled to a waveguide, this results in a combination that ensures linear high frequency response, powerful and crystal clear reproduction, high SPL with an extended frequency response.

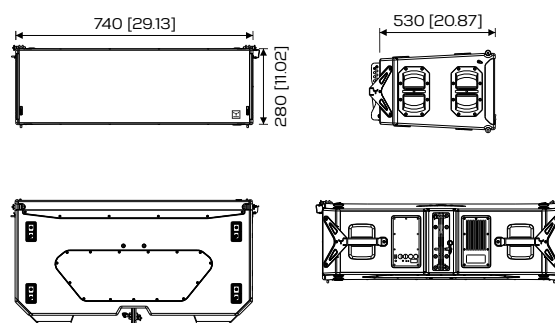
This passive version has a built-in connector plate on the rear panel with 2x NL8, parallel-connected, to control/connect each section (LF/MF/HF) individually to set speaker parameters and maximize performance.

LA212 rugged enclosure is manufactured using 15/18mm birch plywood painted in hard-wearing and durable polyurea coating, equipped with fully integrated 3-point rigging hardware with quick-release bolts/pins to ensure fast and easy setup, providing the necessary accessories such as fly bars and dolly/carts for transport.



Features:

- 3-way Line array element
- Available in passive and active versions
- Very high power handling capacity
- 2x 12" (3.0in VC) LF woofers, neodymium magnet
- 4x 6" (2.0in VC) MF woofers, neodymium magnet
- 2x 1.4" (3.0in VC) HF drivers, neodymium magnet
- Waveguide assembly, 90°x10° directivity
- 2x NL8, parallel-connected
- 3-points integrated rigging flyware, 2 handles each side
- Rugged and durable 15mm birch plywood construction
- Powder coated custom perforated steel grille
- Easy and fast set up system



Dimensions in mm [in]

Technical specifications:

Acoustical

Type	3-way line array speaker, passive
Enclosure design	Trapezoidal array enclosure
Power rating (RMS/Peak)	LF: 2000W / 8000W MF: 800W / 3200W HF: 400W / 1600W
Frequency range	55Hz - 18kHz (-6dB)
Nominal impedance	LF: 2x 8ohm MF: 8ohm HF: 16ohm
Transducer type	2x 12" neo (3.0in VC) LF EU woofer 4x 6" neo (2.0in VC) MF EU woofer 2x 1.4" neo (3.0in VC) HF EU driver
Dispersion (HxV)	90°x array length-splay dependent
Crossover frequency	350Hz (LF/MF) 1.2kHz (MF/HF)
SPL (1W/1kHz)	143dB @ 1m
Sensitivity	LF - 97dB MF + HF - 110dB
Connector	Speakon NL8, in/out

Mechanical

Enclosure	15mm birch plywood, rugged polyurea coating
Grille	Custom perforated metal grille, acoustic foam
Color	Black textured (standard)
Hardware	Integrated steel rigging flyware, 3 points Splay angle adjustment, 6° (1° increments) 2x side handles each side, rear handles Ø9.8mm ball pins w/ stainless steel lanyard
Dimensions	740x530x280mm 29.13x20.87x11.02in
Weight	56Kg 123.46lb

